

TP125 Series Temperature Sensors

Rugged temperature sensor in a high pressure capsule ideal for hydraulic applications. Linear output makes it ideal for connecting into proprietary displays and data acquisition systems.



Manufacturers of hydraulic components and test equipment
for the Mobile, Industrial and Agricultural industries



Nuffield Road,
St. Ives, Cambs.,
PE27 3LZ, UK

Tel: +44(0)1480 397400

Fax: +44(0)1480 466555

www.webtec.co.uk

E-mail: sales@webtec.co.uk

Features:

- **MAX. TEMPERATURE:**
125°C
- **PRESSURE RATING:**
480 bar
- **MATERIAL:**
Stainless Steel /
Aluminium
- **CONNECTOR:**
Male 4 pin M12 x1.0
- **OUTPUT OPTIONS:**
4 - 20mA or 0 - 5V
- **THREE** thread forms
available

BFPA The British
Fluid Power
Association



Certificate No.8242

TP125-BU-ENG-1764.pdf
(Issue 2)

01/10

Specifications

Model number	Output type	Fluid connection	A mm (inches)	B mm (inches)
TP125-5V-B	3 wire 0-5V	1/4" BSPP	104 (4 3/32")	17(11/16")
TP125-5V-N	3 wire 0-5V	1/4" NPTF	106 (4 11/64")	19 (3/4")
TP125-5V-S	3 wire 0-5V	7/16" -20UN #4 SAE ORB Male	101 (4")	14 (9/16")
TP125-mA-B	2 wire 4-20mA	1/4" BSPP	104 (4 3/32")	17(11/16")
TP125-mA-N	2 wire 4-20mA	1/4" NPTF	106 (4 11/64")	19 (3/4")
TP125-mA-S	2 wire 4-20mA	7/16" -20UN #4 SAE ORB Male	101 (4")	14 (9/16")

Note - All NPTF threads are to ANSI B1.20.3 -1976 Class 1. As stated in the standard it is recommended that "sealing is accomplished by the means of a sealant applied to the thread". NPT fittings may also be used to connect to NPTF ports (also with a sealant applied to the thread)

Functional specification

Ambient temperature:	5 to 40°C (41 - 104°F)
Fluid type:	Oils, fuels, water glycol, water emulsions
Fluid temperature:	0 to 125°C (32 to 257°F)
Accuracy:	±1°C (±2°F)
Scaled range:	0 to 150°C (32 to 302°F)
Max pressure:	480 bar (7000 psi)

Electrical specification

Supply voltage (VS):	12 -32 VDC
Current output:	4-20 mA, 2 wire loop, max loop resistance = (VS-9) x 50 ohms
Voltage output:	0 -5 VDC, current consumption = 10 mA, minimum load 20K ohms

Construction material

Body:	Stainless steel 303S31, Aluminum 2011T3
Seals:	(where fitted) Viton as standard, EPDM are available - please consult Webtec sales office

Weight

80g (0.18 lbs)

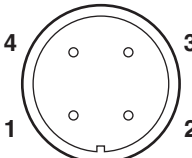
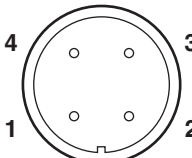
Accessories

For Panel meters (readouts) see DP 130 bulletin
For flow meters see CT, CTR or flowhub bulletin

Calibration is included when complete systems (sensors, cable and panel meter) is purchased in one order.

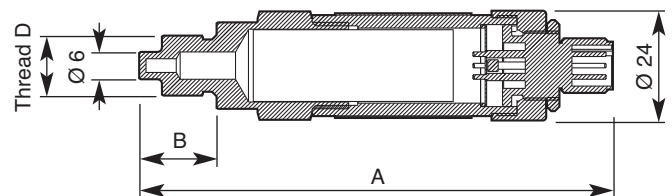
For help and advice, please contact sales office.

Connection Details

5V	4 - 20 mA
 <p>Pins 1 - + IN 2 - V OUT 3 - GND 4 - CASE</p>	 <p>Pins 1 - Loop + 2 - Loop - 3 - Loop - 4 - CASE</p>
NB. pins 2 and 3 connected internally.	
Connecting cable (5m)	FT9879-05
Extension cable (5m)	FT10229-5
Connector (M12x1 4 pin)	FT9880

Dimension details

Dimensions in millimetres



A and B see table above



APPROVED